



# LFFG 270

SMART FRIDGE AND FREEZER IN ONE CABINET, MAKES IT A PERFECT SOLUTION FOR LABORATORIES WITH LIMITED SPACE DUE TO THE SMALL FOOTPRINT. With air forced cooling and automatic defrost which will save time to focus on what's most important and store the samples most reliable.



AVAILABLE IN  
ATEX



AIR FORCED  
COOLING



FILTERLESS  
CONSTRUCTION

## INDEPENDENT & LESS FOOTPRINT

The LFFG comes with two controllers allowing you to set and operate them as two independent units. With separate locks and passwords, it provides the ability to restrict access to storage and settings, in case the unit have multiple users. The unit is in effect of two fully independent units each with its own compressor, cooling circuit and controller – allowing to turn off one of the compartments in case that they are not in use for some time.

## STAINLESS STEEL & AUTOMATIC DEFROST

The unit is available with stainless steel AISI 304 Exterior, so that the interior and exterior is made entirely of stainless steel, providing a stronger more resistant unit.

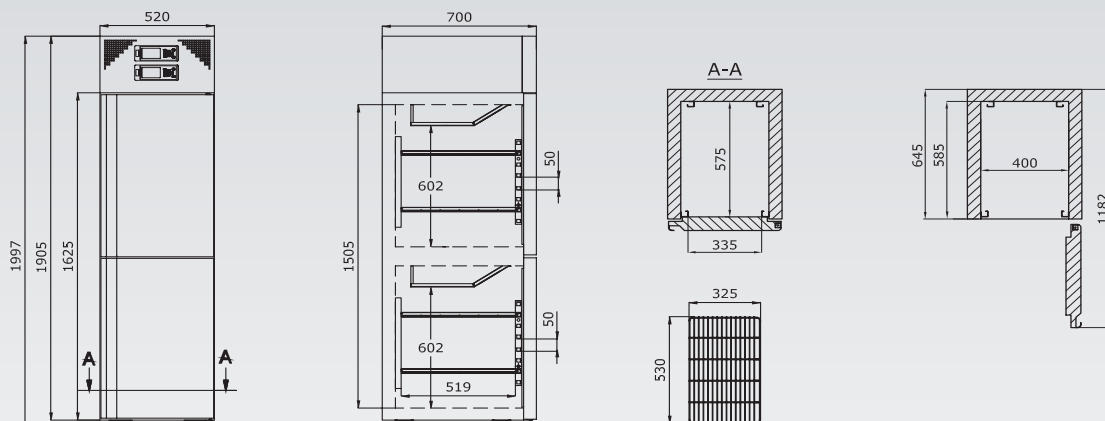
With Arctiko's automatic defrost system it's not required to remove samples prior to defrosting, saving you valuable time to focus on what matter the most and at the same time stores the samples safely.

## EXCEPTIONAL COOLING

Arctiko has combined the high quality cooling performance created by air-forced cooling and automatic defrosting.

The results meet the more stringent requirements for lower power consumption, more precise cooling uniformity, need for temperature and alarm surveillance, documentation and validation, making the LFFG 270 the perfect solution for biomedical storage.

## MAIN DIMENSION FOR LFFG 270



## MAIN SPECIFICATIONS

Item code	DAI 0325 / DAI 0326
Temperature range (°C)	+1 / +10 -10 / -30
Max. ambient temperature (°C)	32
Capacity (L)	161 / 161
Exterior dimensions WxDxH (mm)	520x700x1997
Interior dimensions WxDxH (mm)	2x(400x575x700)
Weight (KG)	120
Insulation (mm)	60
Cooling technology	air forced
Controller model / probe type	G214 / PT1000

## POWER

Power supply (V)	230*
Frequency (Hz)	50/60
Power consumption (kWh/24H)	14,7
AMP (A)	5,7
Power (Watt)	814
Horse power (HP)	1/3 + 1/2

## ALARM FUNCTIONS

Alarm display as text - not codes	yes
Visual / acoustic alarm	yes / yes
Power failure alarm	yes
Adjustable high / low temperature alarm	yes / yes
Open door alarm	yes
Probe failure alarm	yes
Low battery alarm	yes
Compressor failure alarm	no
Battery backup for alarms (approx. hrs.)	72

## DATA LOGGING & EXTERNAL CONNECTION

Voltage free contact for remote alarm (e.g. GSM alarm module)	yes
Electronic data logger	yes
RS 485 port	yes
USB port for software update & data download	yes
Temperature chart recorder	optional

## DISPLAY FEATURES

Display type	4,3" with touch buttons
Number of optional reference probes	2
Password protection for turning unit on / off	yes
Temperature graph on display	yes

## OTHER FEATURES

Automatic defrost	yes
Antifreeze function	no
Vacuum release port	no
Access port for external probe etc. (int. diameter mm)	optional
Light	no
Lock with key	yes
Castors (total pcs) / castors with brake (pcs)	4 / 2
Fixed feet (pcs) / levelling feet (pcs)	no
Sub lids or inner doors (pcs)	no
Reversible door(s)	yes
Fixed shelves (pcs) / adjustable shelves (pcs)	0 / 4
Max. no. of shelves (pcs) / recommended max. no. of shelves (pcs)	16 / 8
Max. load per shelf (kg)	30
Adjustable drawers (pcs)	optional
Max. no. of adjustable drawers (pcs)	6
Max. load per adjustable drawer (kg)	30

## REFRIGERATION & CABINET

Number of compressors	2
Refrigerant	R134a / R404a**
Interior cabinet material	stainless steel
Exterior cabinet material	electrogalvanized steel / stainless steel
Colour (exterior cabinet)	white / stainless steel
Foam type	polyurethane
VIP vacuum insulated panels	no

## SHIPPING

Shipping weight (KG)	175
Shipping dimensions WxDxH (cm)	83x67x220
Shipping volume (m <sup>3</sup> )	1,22

\*110V/60Hz available as option

\*\* R134a/R404a will be discontinued 2019

## OPTIONAL ACCESSORIES

GSM alarm module  
Temperature chart recorder  
Shelves (perforated, wire stainless steel, plastic coated)  
Drawers (stainless steel)  
Modbus adapter  
Voltage stabilizer  
Voltage converters  
LED light

## Arctiko A/S

Oddesundvej 39 · DK-6715 Esbjerg N · Phone: +45 7020 0328  
info@arctiko.com ■ arctiko.com



Intertek

Intertek