

ARCTIKO ULUF 15

true cooling specialists



ULTRA LOW TEMPERATURE BENCHTOP FREEZER I

COMPACT SPACE-SAVING DESIGN AND LOW NOISE LEVEL

The perfect storage solution for your personal laboratory. It is perfect as a benchtop model due to the small size and weight.

► COOLING TECHNOLOGY

The small size is achieved by utilizing Arctiko's special single compressor technology.

The single compressor technology is specially designed to reduce the number of mechanical components that generates unnecessary heat and noise.

It comes with the same advantages as regular sized -86°C from Arctiko and is best in class in cooling performance.

► FILTERLESS CONSTRUCTION

Our filter less construction makes cleaning unnecessary. The evaporator coils are spaced so far apart that dust will not be trapped and obstruct the airflow.

With our unique construction, the dust intake is minimal, which eliminates the need for filters entirely, saving you maintenance time and cost.

► THE OPTIMAL CHOICE

Despite its small size og the ULUF 15, you will get a very reliable ultra low freezer. If the need for samples is minimal, then this is the ultimate freezer.

By choosing a ULUF 15 there will be maximum savings on footprint because of its compact space saving design and a great energy saving compared to other larger units.



ULUF 15*



The user friendly G214 controller standard for the ULUF 15. It includes different alarms as visual, acoustic, open door and more.



Easy overview of samples with boxes.



Key lock is a standard feature in our ULUF 15. Placed on side of door for optimal security for your samples.



SINGLE COMPRESSOR SYSTEM

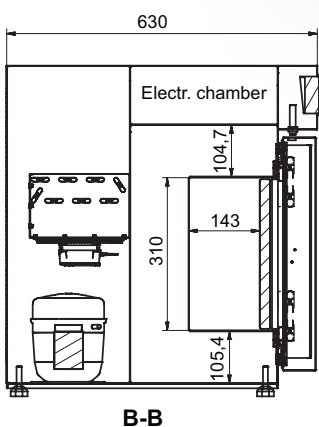
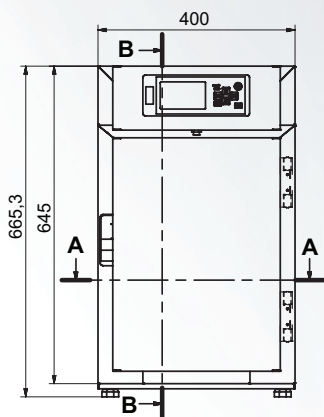


DIRECT COOLING

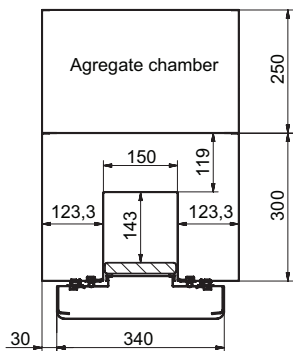


FILTERLESS CONSTRUCTION

* The pictures shown are for reference only, actual product size may vary. Please read the dimensions of the product in the specifications.



A-A



The ARCTIKO ULUF 15 model supports following optional features:

- Modbus adaptor for G214 controller
- GSM alarm module
- Voltage converter
- Voltage stabilizer
- Boxes
- Cryo gloves



	MODEL	ULUF 15
Main specifications	Item code	DAI 1390
	Temperature range (°C)	-40 / -86
	Max. ambient temperature (°C)	25
	Capacity (L)	7
	Exterior dimensions WxDxH (mm)	400x630x665
	Interior dimensions WxDxH (mm)	150x143x310
	Weight (KG)	38
	Insulation (mm)	120
	Cooling technology	single system / static
	Controller model / probe type	G214 / PT1000
Power	Power supply (V)	230
	Frequency (Hz)	50/60
	Power consumption (kWh/24h)	6,5
	AMP (A)	2,8
	Power (Watt)	467
Alarm functions	Horse power (HP)	3/8
	Alarm display as text - not codes	yes
	Visual / acoustic alarm	yes / yes
	Power failure alarm	yes
	Adjustable high / low temperature alarm	yes / yes
	Open door alarm	yes
	Probe failure alarm	yes
	Low battery alarm	yes
Compressor failure alarm	yes	
Data logging & external connection	Battery backup for alarms (approx. hrs.)	72
	Voltage free contact for remote alarm (e.g. GSM alarm module)	yes
	Electronic data logger	yes
	RS 485 port	yes
	USB port for software update & data download	yes
Display features	Temperature chart recorder	optional
	Display type	4,3" with touch buttons
	Number of optional reference probes	2
	Password protection for turning unit on / off	yes
Other features	Temperature graph on display	yes
	Automatic defrost	no
	Antifreeze function	no
	Vacuum release port	no
	Access port for external probe etc. (int. diameter mm)	12
	Light	no
	Lock with key	yes
	Castors (total pcs) / castors with brake (pcs)	no
	Fixed feet (pcs) / levelling feet (pcs)	0 / 4
	Sub lids / inner doors (pcs)	1
Refrigeration & cabinet	Fixed shelves (pcs) / adjustable shelves (pcs)	5
	Total capacity of 50 mm boxes 9x9 diddividers (pcs)	3
	Total capacity of 75 mm boxes 9x9 diddividers (pcs)	2
	Total capacity of 96 mm boxes 9x9 diddividers (pcs)	120
Shipping	Number of compressors	1
	Refrigerant	EP88
	Interior cabinet material	stainless steel
	Exterior cabinet material	electrogalvanized steel
	Colour (exterior cabinet)	white
	Foam type	polyurethane
Shipping	VIP vacuum insulated panels	no
	Shipping weight (KG)	54
	Shipping dimensions WxDxH (cm)	77x48x89
	Shipping volume (m ³)	0,33